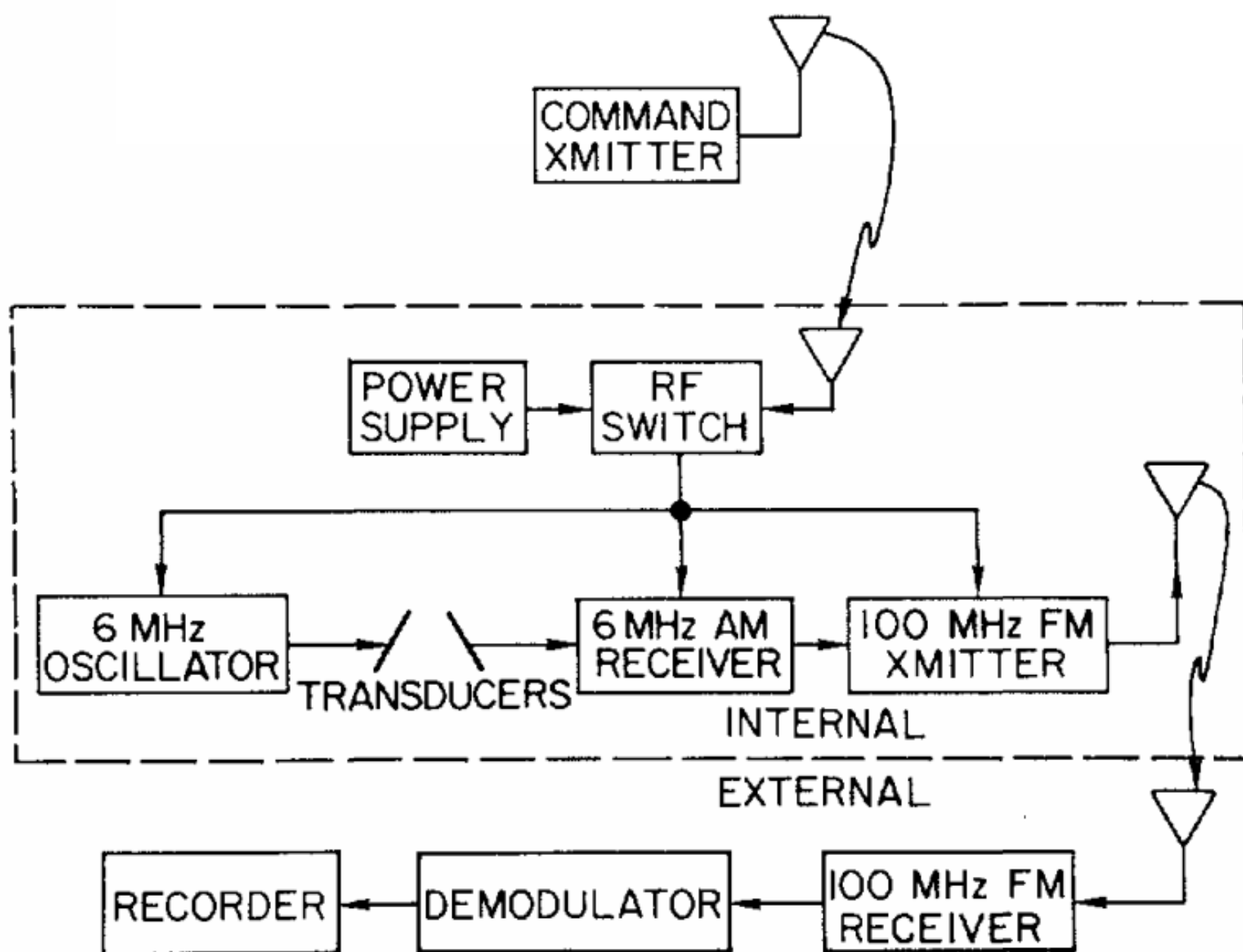


# MEDICAL MICROELECTRONICS

ISSCC 1974



## Integrated Electronics in Medicine

MEINDL (STANFORD University) in 1974 presented a paper on IC technology for transducers and preprocessing electronics in four medical areas: chronically implantable systems (e.g. pacemakers), percutaneous and intraoperative instruments, transcutaneous sensor arrays, and sensory aids for the handicapped. This represents a visionary early work with themes now being embraced by the new emerging field of "BioMEMS."

J.D. Meindl

Stanford University, Stanford, CA