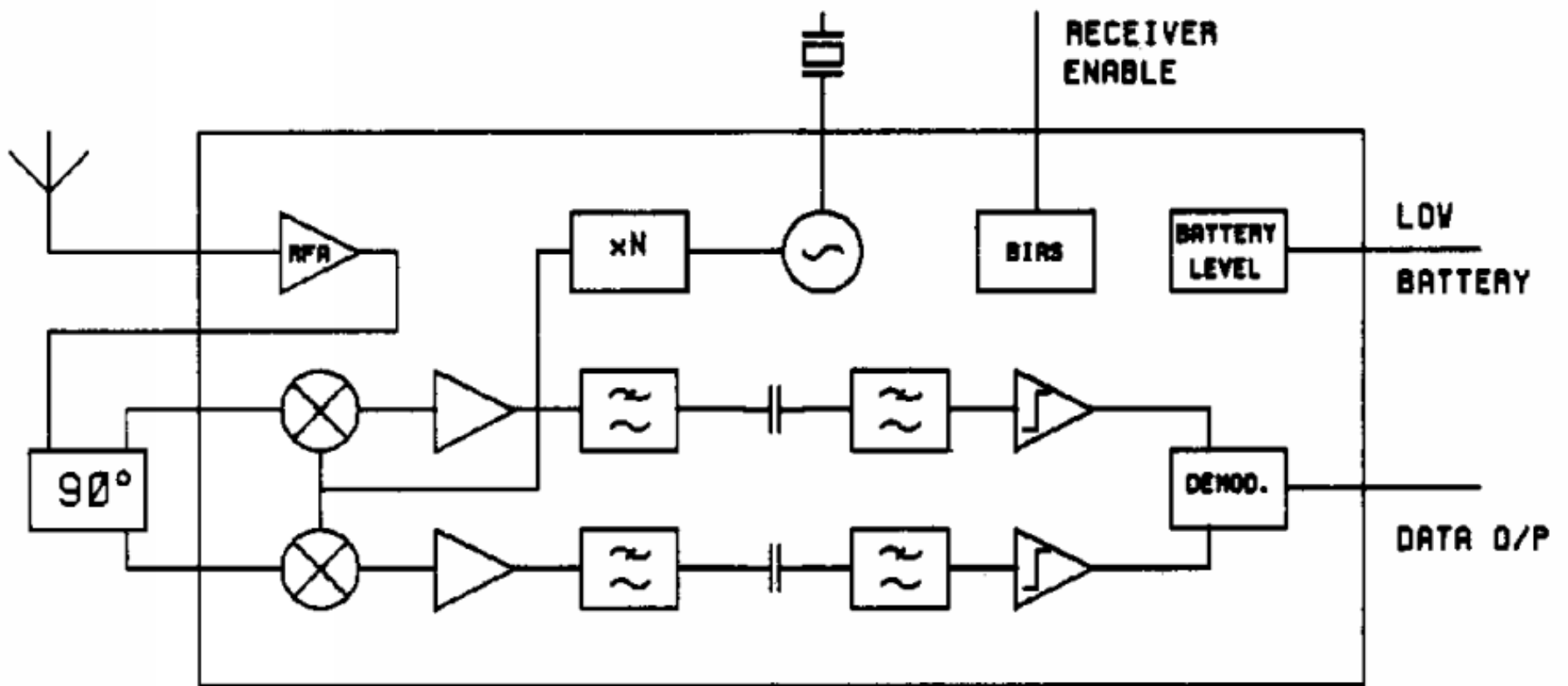


# FIRST SINGLE-CHIP PAGER

ISSCC 1991



## A Single-Chip VHF and UHF Receiver for Radio Paging

LARGE-SCALE ANALOG integration of RF circuits above 500MHz began in the late 1980s with an increase in the popularity of cellular telephones and pagers. One of the first was this 500MHz bipolar receiver chip, designed for 1200baud FSK data, demonstrating a sensitivity of -126dB using a zero-IF architecture. This low-power (2V, 2.7mA) circuit includes integrated gyrator filters, which provide 70dB of adjacent-channel rejection.

G. Luff      R. Youell      J.F. Wilson      T. Richard

Philips Radio Communications Systems, Cambridge, Great Britain

R. Pilaski

Philips Components RHW, Hamburg, Germany