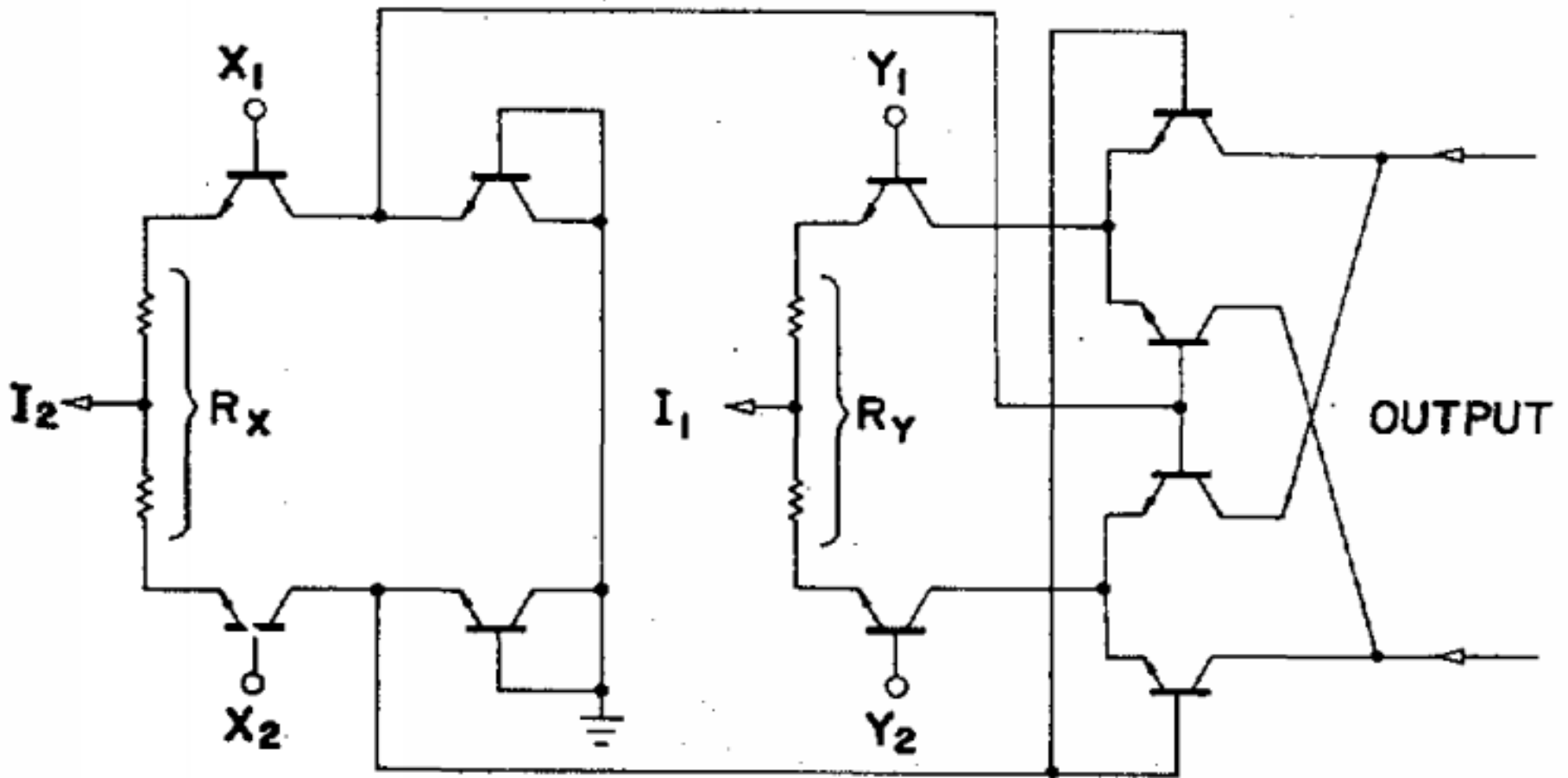


# EMBRACING THE EXPONENTIAL BEHAVIOR OF THE TRANSISTOR

ISSCC 1968



## A DC-500MHz Amplifier/Multiplier Principle

“TRANSLINEAR” TECHNIQUES are introduced to provide high speed signal processing through current manipulation. This provided a basic gain cell and the now-ubiquitous “Gilbert Multiplier” cell. Not only did this paper present and explain some key analog building blocks, but it highlighted some important principles that could be applied to a wide variety of circuit problems.

**B. Gilbert**

Tektronix, Inc., Beaverton, OR