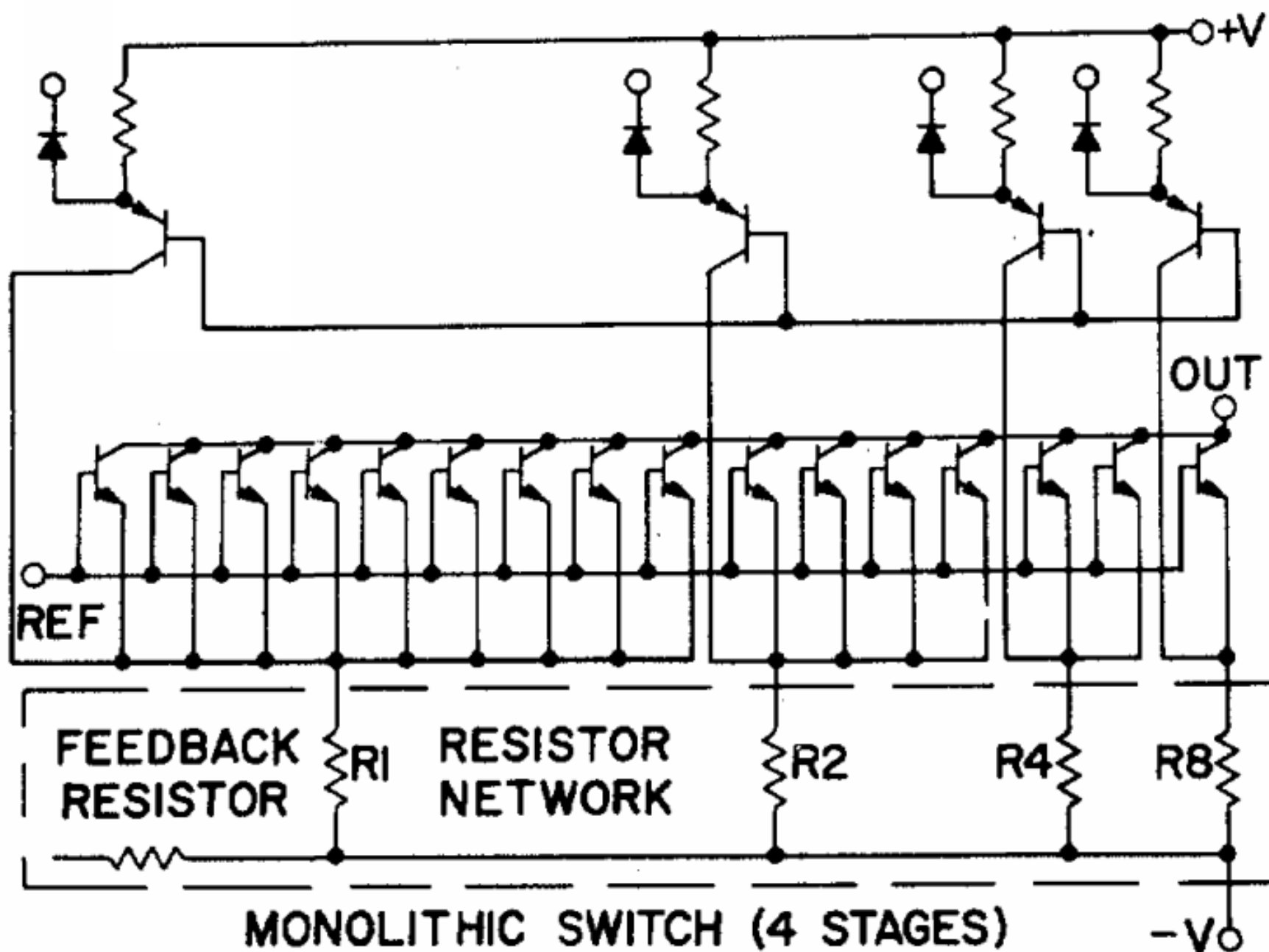


MONOLITHIC TECHNIQUES PROVIDE DAC PERFORMANCE LEAPS

ISSCC 1970



A High-Performance Monolithic D/A Converter Circuit

THE RESISTOR NETWORKS were still on a separate substrate from the transistor current sources and switches, but thoughtful scaling of devices and replica biasing techniques showed what could be accomplished with even modest levels of integration. As the gateways between the analog and digital domains, converter technology was starting a long journey at ISSCC.

J.J. Pastoriza

H. Krabbe

A.A. Molinari

Analog Devices, Inc., Cambridge MA